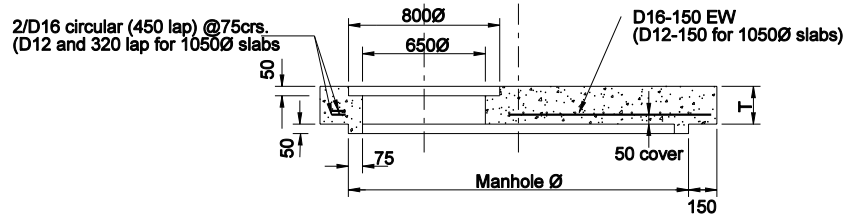
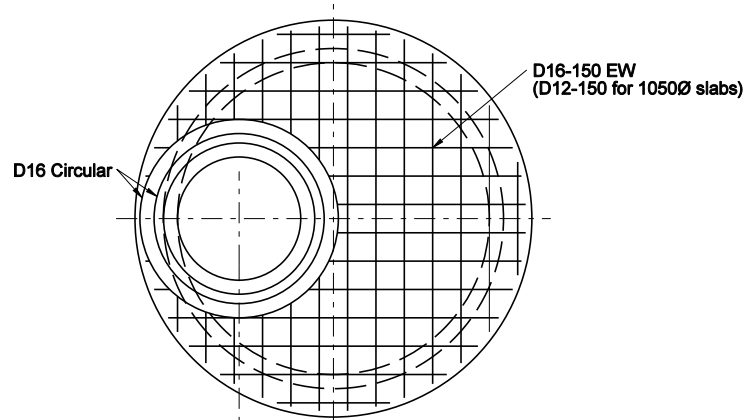


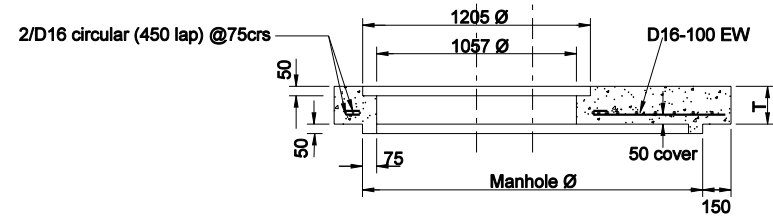
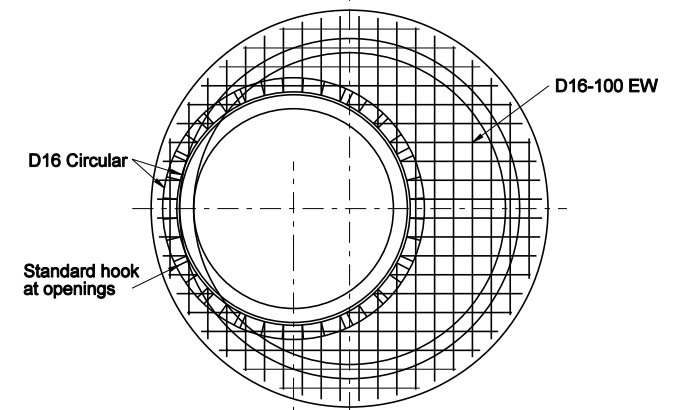
**NOTES**

1. Manhole chambers and chimneys flush joint Class 'S'
2. All flush joints to be sealed with expandite BM100 or approved equivalent.
3. Concrete in slabs and adjustment rings to be a minimum of 21MPa at 28 days. Mass concrete to be 21MPa at 28 days. Concrete to be of ordinary grade.
4. Refer TS 406 for adjustment ring details.
5. Diameters of precast manhole pipes are nominal only.



**MANHOLE TOP SLAB**

Manhole Ø	Slab Thickness (T)
1000 Ø - 1400 Ø	150mm
1450 Ø - 1800 Ø	200mm
Over 1800 Ø	250mm



**MANHOLE CHAMBER SLAB**

Manhole Ø	Slab Thickness (T)
1350 Ø - 1800 Ø	200mm
Over 1800 Ø	250mm