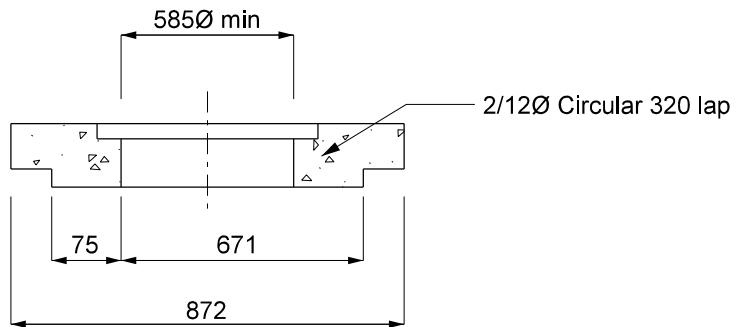


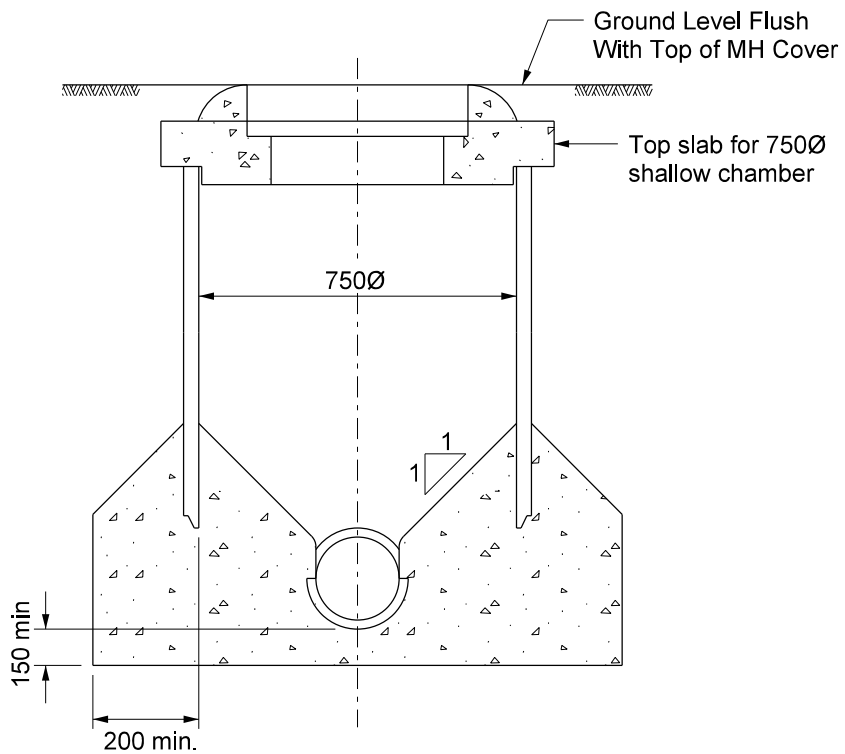
NOTE:

1. All flush joints to be sealed with expandite BM100 or approved equivalent.
2. Concrete in slabs and adjustment rings to be a minimum of 20MPa at 28 days. Mass concrete to be 17MPa at 28 days. Concrete to be of ordinary grade.
3. Refer TS 406 for adjustment ring details.

MH Chambers & Chimneys
Flush Joint Class 'S'



Top Slab for 750Ø Shallow Chamber



750Ø Internal Shallow Chamber

To be used only on pipes of 100mm to 450mm Ø and where depth of invert is less than 1000mm