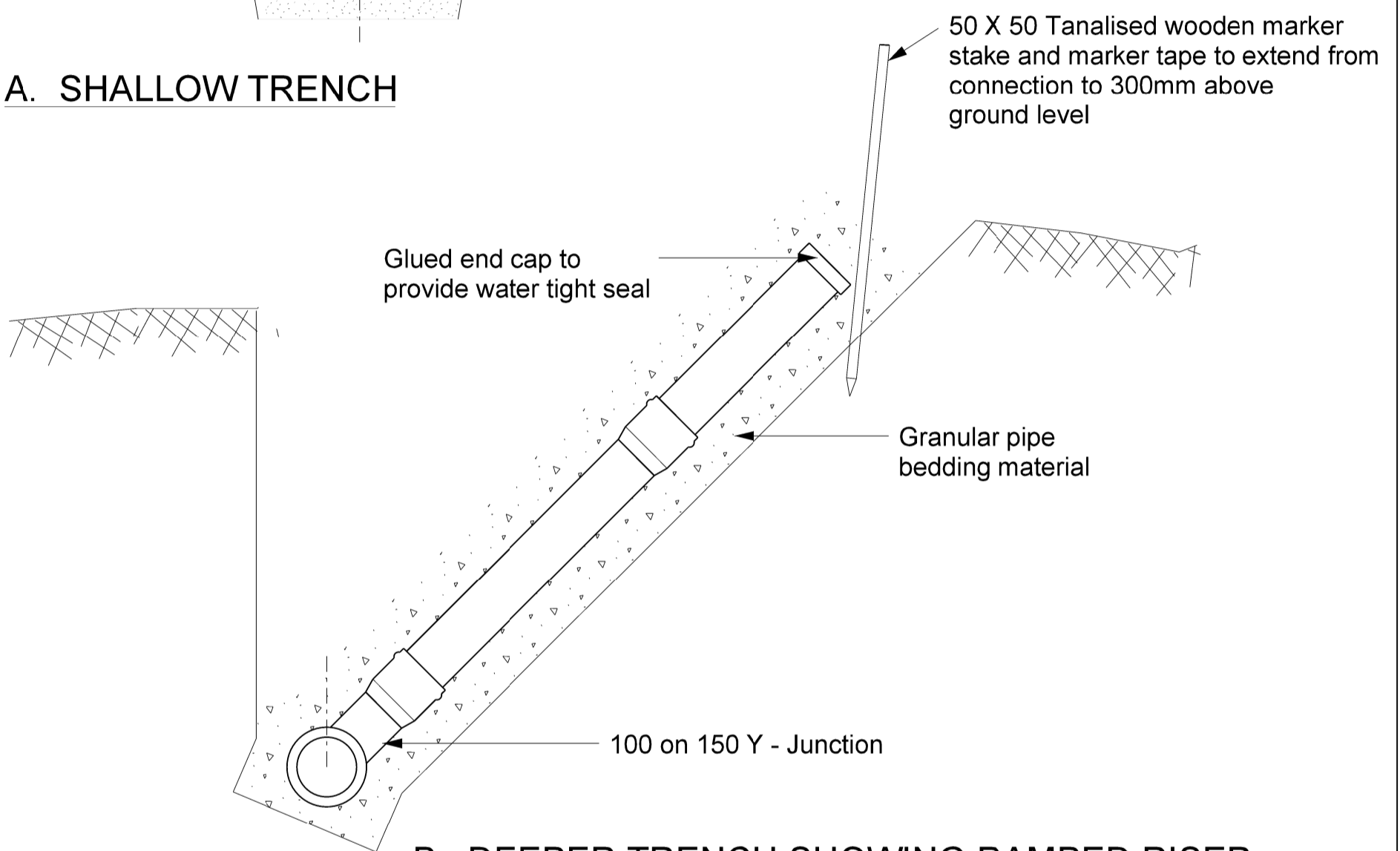
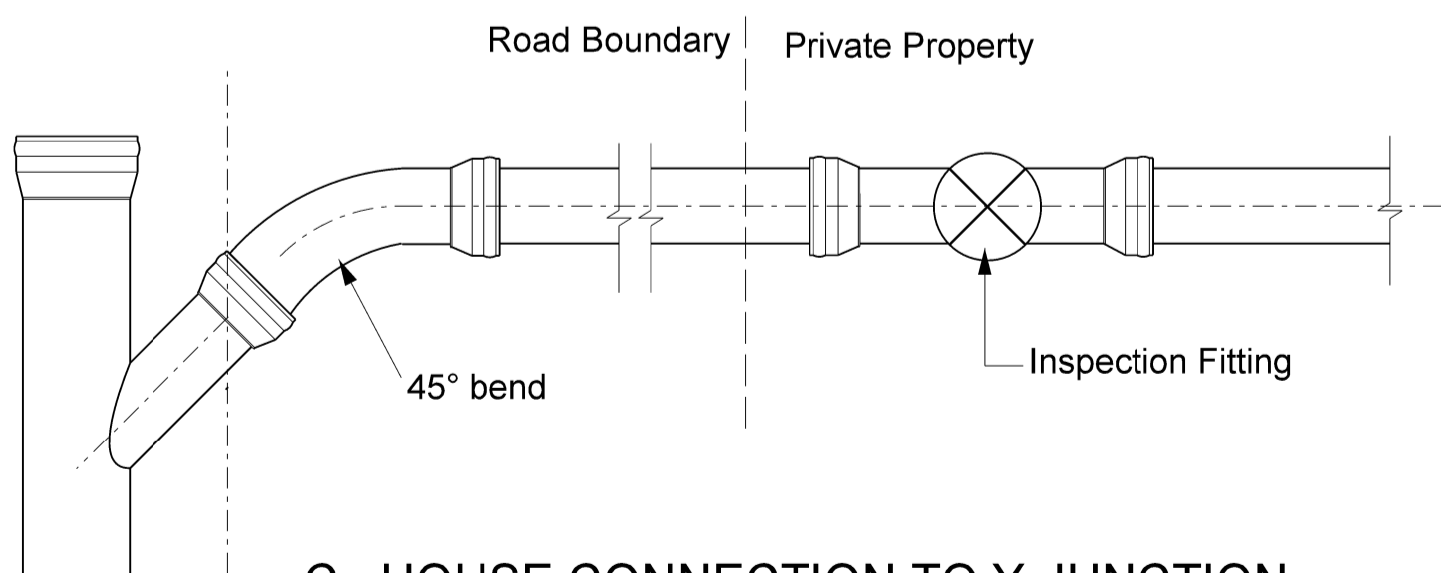


A. SHALLOW TRENCH



B. DEEPER TRENCH SHOWING RAMPED RISER



C. HOUSE CONNECTION TO Y-JUNCTION

DIMENSIONS IN MILLIMETRES