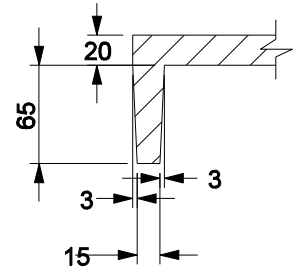
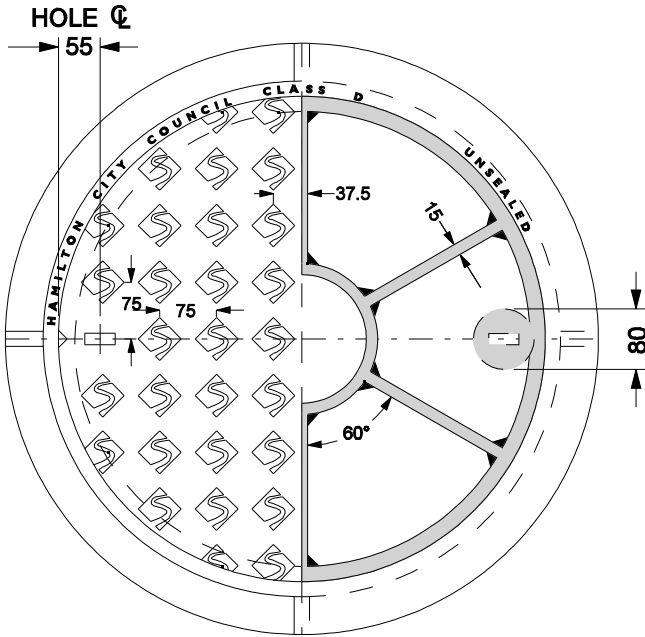


**SECTION THROUGH COVER**



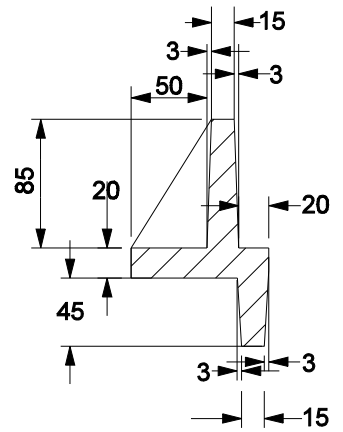
**COVER EDGE**



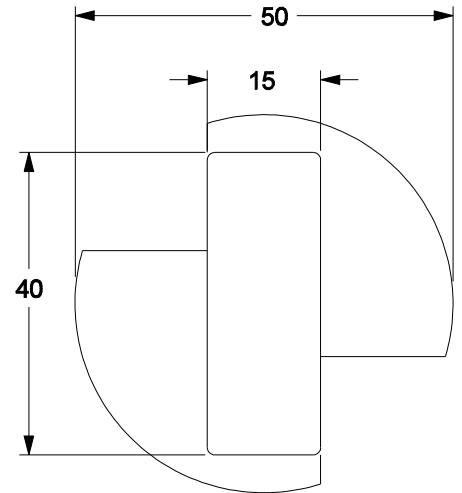
**PLAN**

**NOTES:**

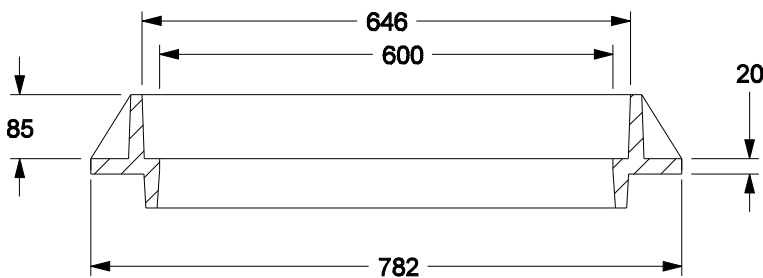
1. Diamond pattern to be 40mm square
2. Letters and pattern to be raised 3mm
3. 20 x 20 fillets where webs meet inner and outer rings



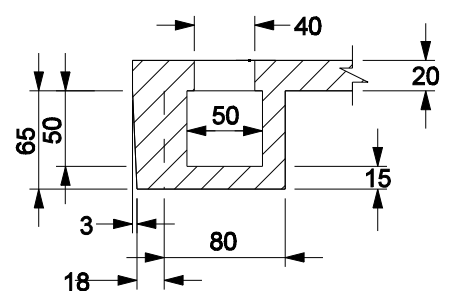
**FRAME EDGE**



**KEYHOLE PLAN**



**SECTION THROUGH FRAME**



**KEYHOLE SECTION**