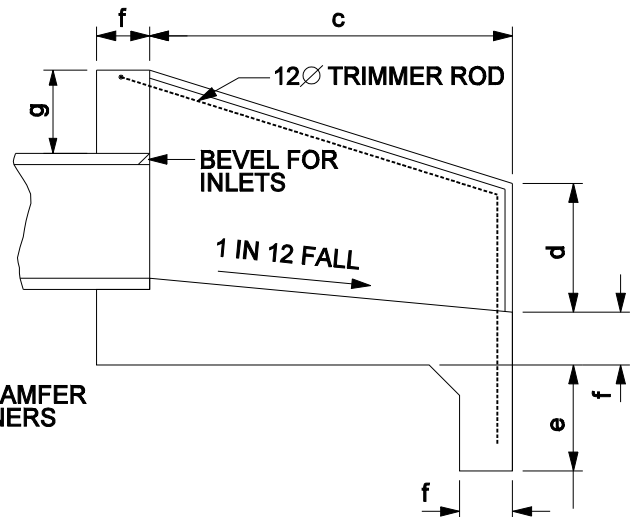
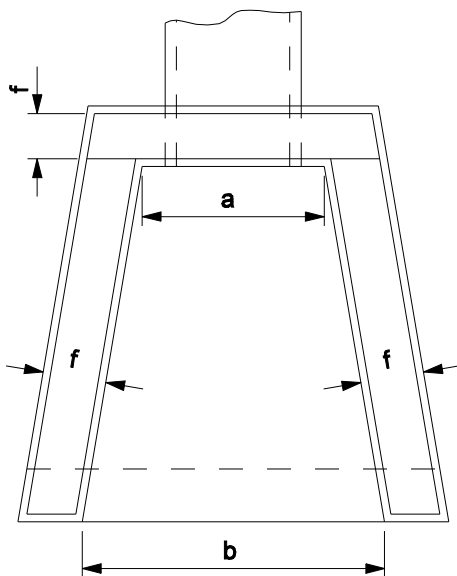


END ELEVATION



SECTION



PLAN

PRINCIPAL DIMENSIONS (mm)							
DIA OF PIPE	a	b	c	d	e	f	g
150	300	450	600	200	150	100	150
225	380	600	700	250	200	100	150
300	450	750	750	300	200	100	150
375	550	900	850	350	200	100	150
450	630	1100	900	400	230	150	230
525	700	1200	1000	450	230	150	230
600	800	1400	1100	550	230	150	230
750	1000	1700	1200	600	300	150	300
900	1170	2000	1450	650	300	150	300
1050	1380	2300	1700	750	450	150	300
1200	1520	2600	2100	750	450	150	450
1350	1680	2800	2400	750	450	150	450

1. Reinforce floor & walls with;
 150 - 375 665 Mesh
 450 - 600 663 Mesh OR 10 dia. rods @ 250 crs.
 615 - 900 12 dia. rods @ 250 crs.
 1050 - 1350 12 dia. rods @ 150 crs.
2. All reinforcing shall be placed centrally in walls and floor, and shall be continuous between walls and floor.
3. Laps in structural grade bars to be 300mm minimum.
4. There shall be at least two bars whether mesh or MS over the top of the pipe.
5. Concrete is to be ordinary grade (17.5 MPa) in accordance with NZS 3108:1983.
6. Inlet Structures to have reverse apron fall.