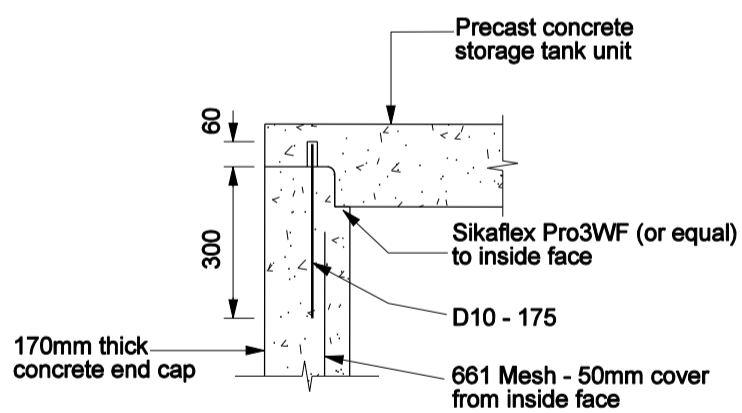
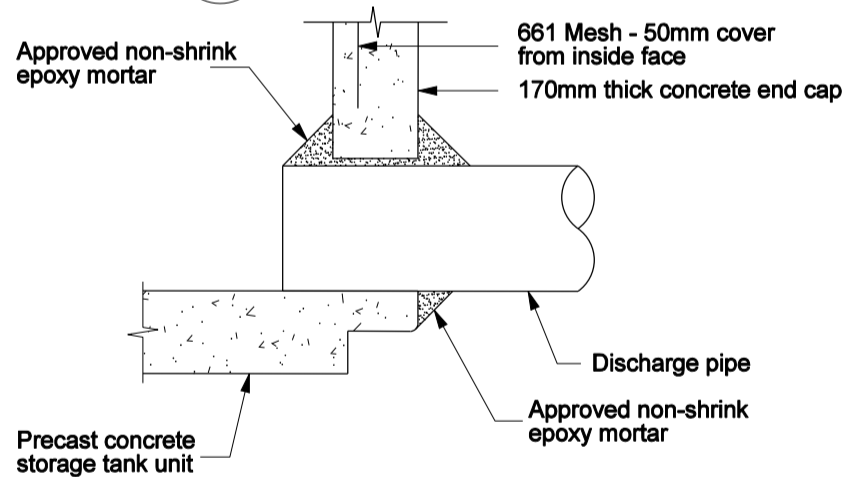


**SECTION** A  
TS 512

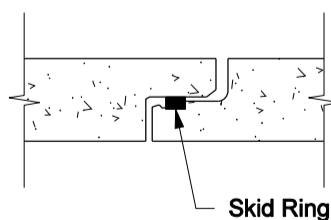


**DETAIL 1**

(Concrete Strength 35MPa @ 28 Days)



**DETAIL 2**



**DETAIL 3**

(Concrete Strength 35MPa @ 28 Days)