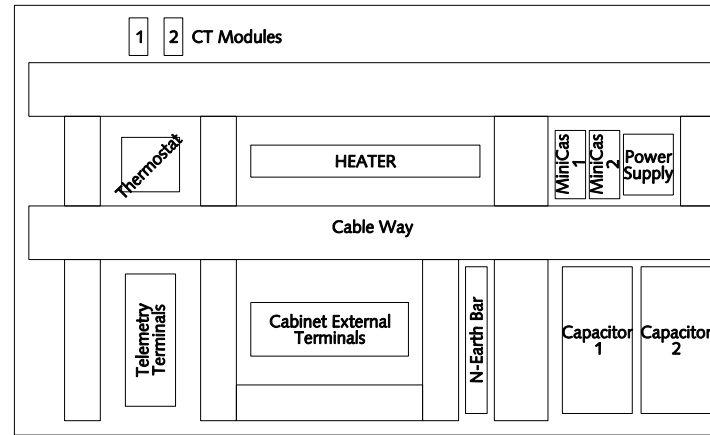


FRONT LAYOUT



REAR LAYOUT

EQUIPMENT LAYOUT

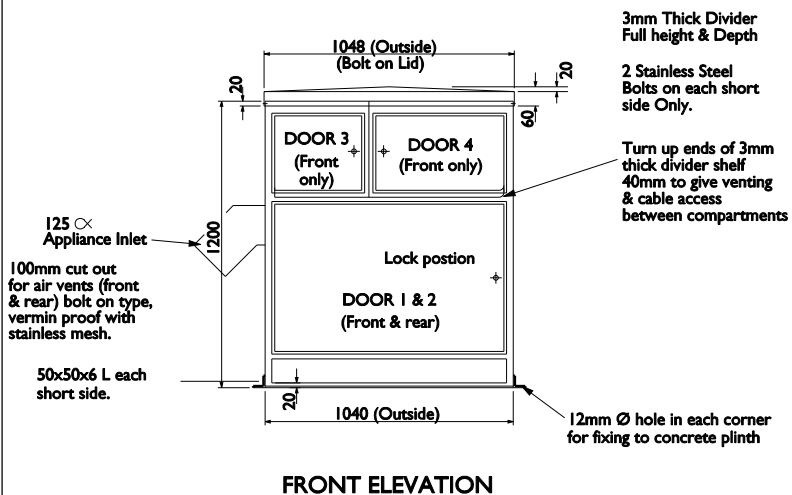
Door Schedule

- Door 1 & 2 Switchboard access
Clear opening 960x615
Door size 986x641
- Door 3 WEL meter
Clear opening 360x296
Door size 386x322
- Door 4 PLC access
Clear opening 540x296
Door size 566x322

(Door size is outer dimension)
All doors to be created for added strength against flexing
Large doors may need extra bracing on inside of door

Notes

1. Cabinet and doors to be fabricated from 3mm thick aluminium.
2. After fabrication cabinet exterior shall be powder coated in Pacific Gold Orca Deep Brunswick Green code:81879
3. Stitch weld brackets & angles running full width against body of cabinet except base angle & plate which shall be continuously welded.



FRONT ELEVATION

