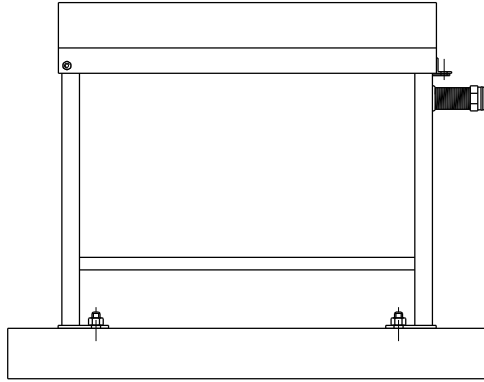
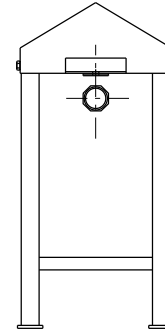


LEFT ELEVATION



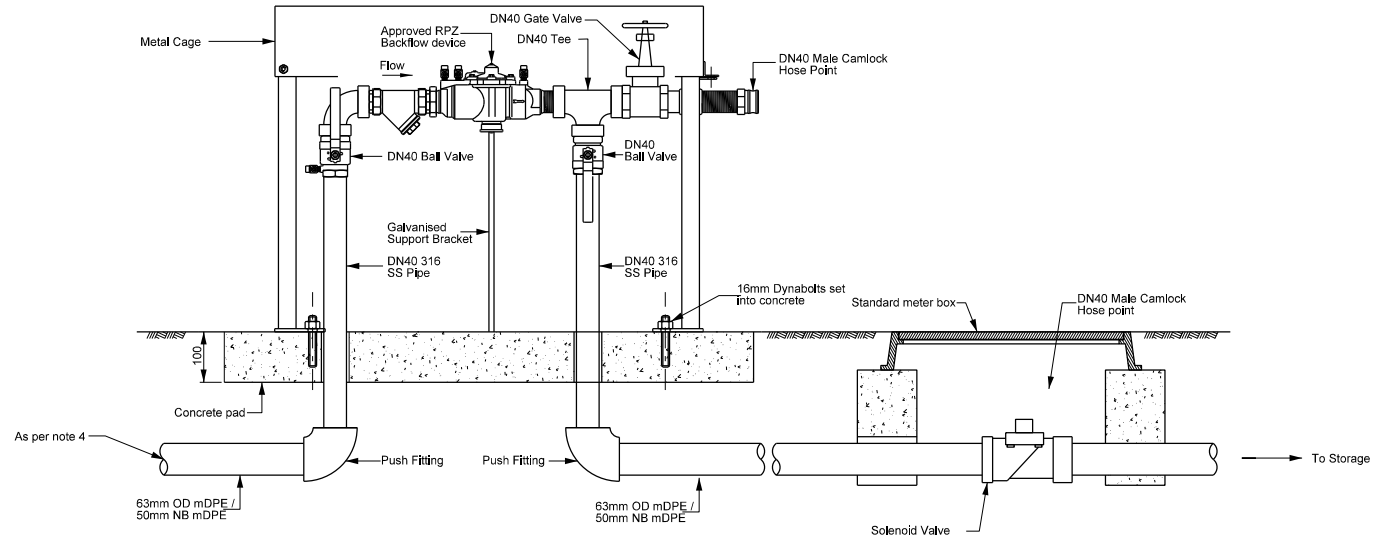
FRONT ELEVATION



RIGHT ELEVATION

METAL CAGE

Refer Drawing TS 530



NOTES

1. Position of backflow device cabinet and hose point to be determined on site
2. All material must comply with HCC Development Manual Specification
3. Color - After fabrication cage exterior shall be powder coated pacific gold orica deep brunswick green code:81879
4. Storage >100m³ requires detailed sizing of pipe + RPZ