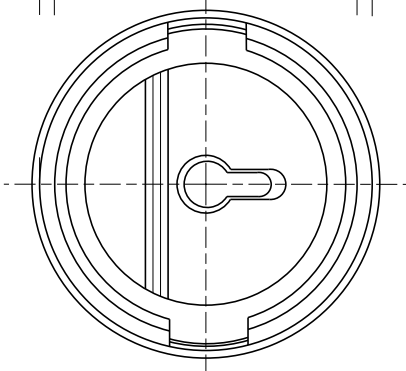
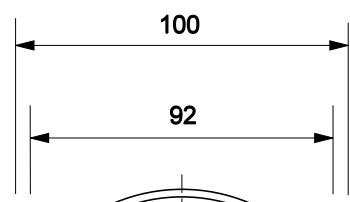


TOP



UNDERNEATH

Cast Iron

NOTE: To be used only for replacement of existing (smaller) Toby Box Lids