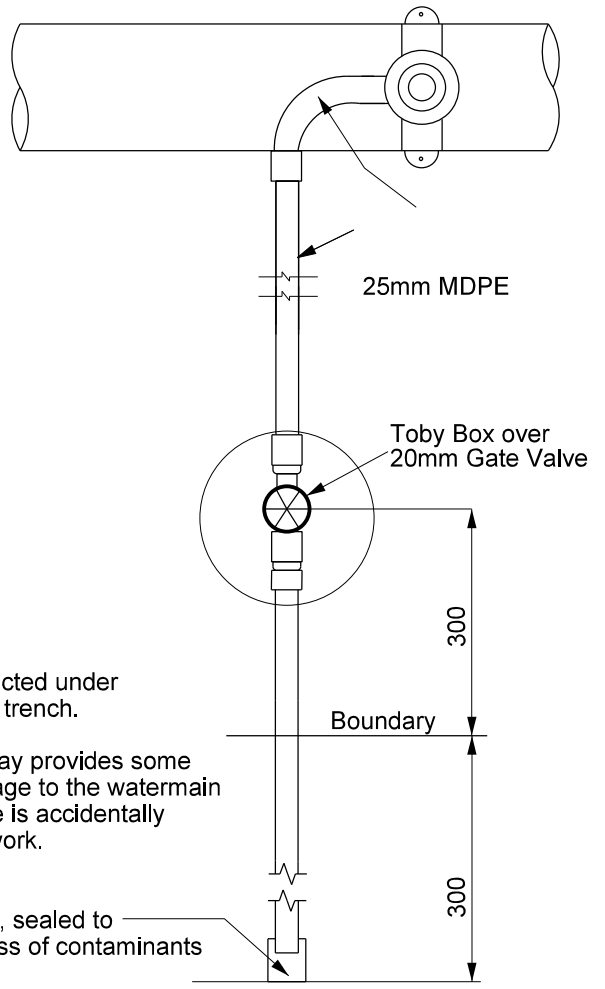
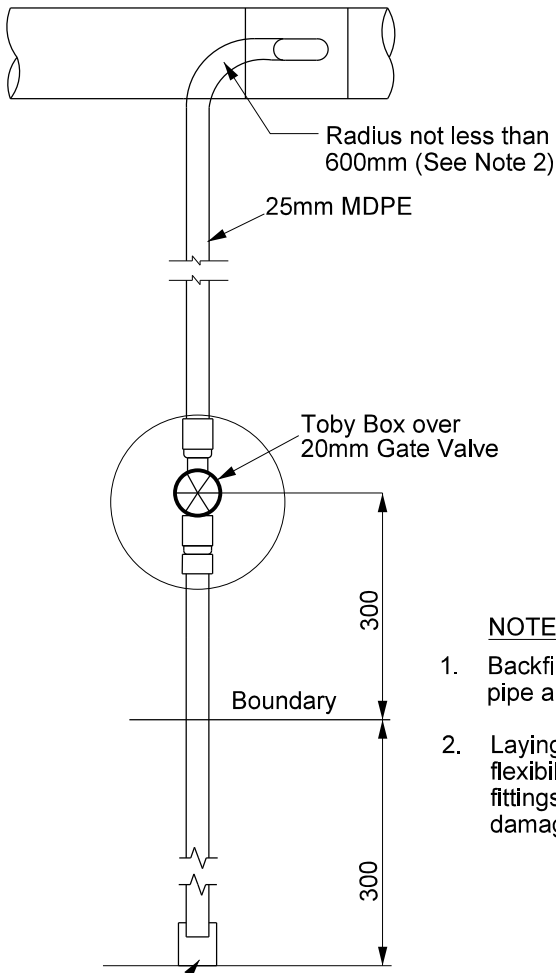


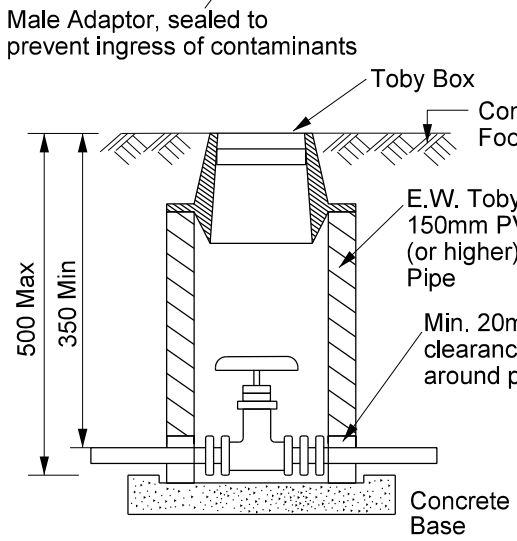
OR



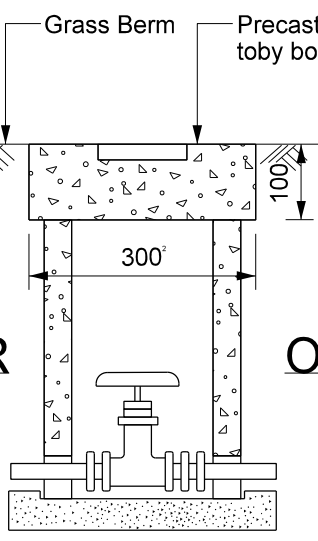
NOTES:

1. Backfill to be well compacted under pipe and in service/main trench.
2. Laying the pipe in this way provides some flexibility, reducing damage to the watermain fittings if the service pipe is accidentally damaged by trenching work.

Male Adaptor, sealed to prevent ingress of contaminants



OR



OR

