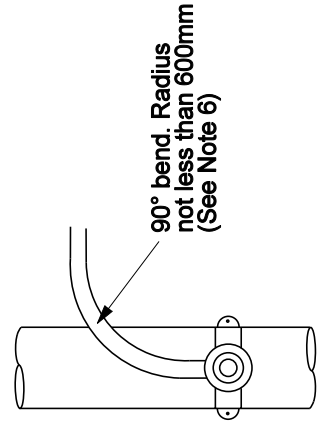


**NOTES:**

1. The sand level in the meter box to be kept below the meter.
2. This gate valve may be omitted when installation is **NOT** made with mains under pressure. On pipes less than 40mm in diameter, a ferrule shall be used in place of the gate valve.
3. In new installations tapping band may be replaced by cut-in tee, tapped gibault or other as directed.
4. Space between split surrounds of base to be grouted up after installation of pipework and meter
5. 20mm and 25mm service connections require only one gatevalve, located inside meter box before meter
6. Laying the pipe in this way provides some flexibility, reducing damage to the watermain fittings if the service pipe is accidentally damaged by trenching work.



**DETAIL A**

(25mm Service Shown)