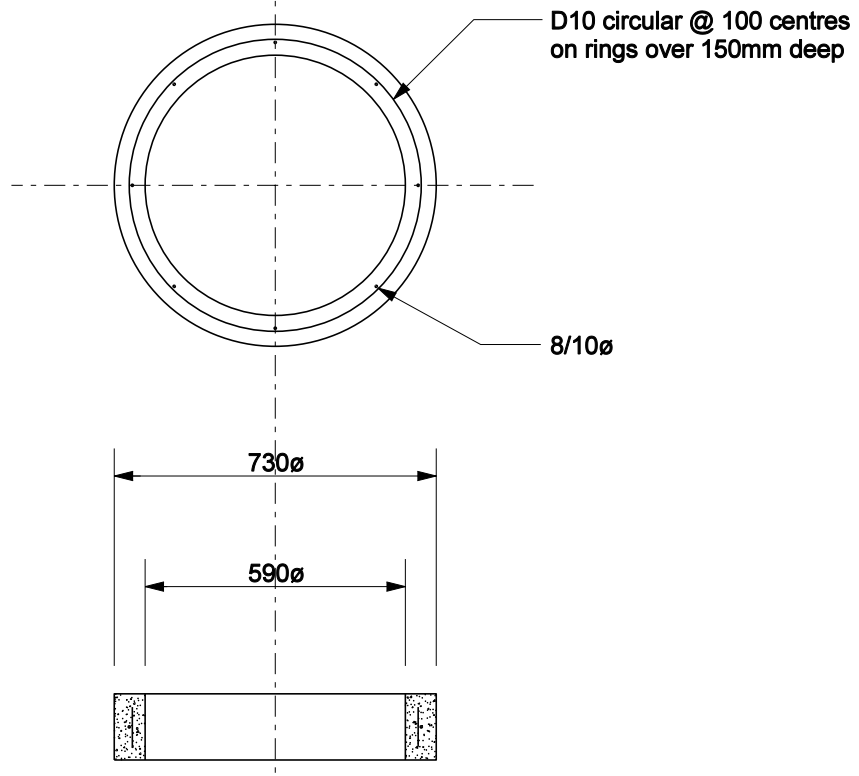


TYPICAL MANHOLE TOP CONSTRUCTION



ADJUSTMENT RING

Depths of 50, 100, 150, 200, 250 & 300mm

NOTE:
Refer TS 400 for Manhole details